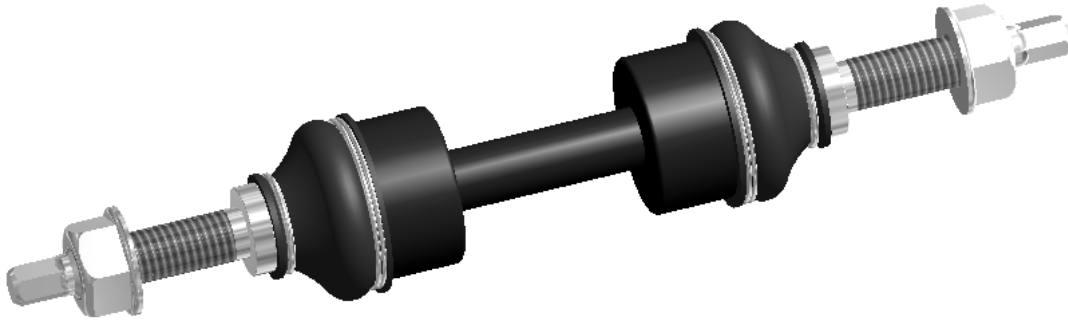


BAR-1750074

Heavy Duty Sway Bar Link



(2) Per Vehicle

Napa #	McQuay #	Moog #	TRW #
265-1874	n/a	K750074	n/a

APPLICATIONS:

Year	Make	Model	O.E.M. #	Location	Qty / Vehicle
2009 - 2017	FORD	F-150 2-wheel drive	7L1Z5K483B	Front	2
2007 - 2017	FORD	EXPEDITION	7L1Z5K483B	Front	2
2007 - 2017	LINCOLN	NAVIGATOR	7L1Z5K483B	Front	2