

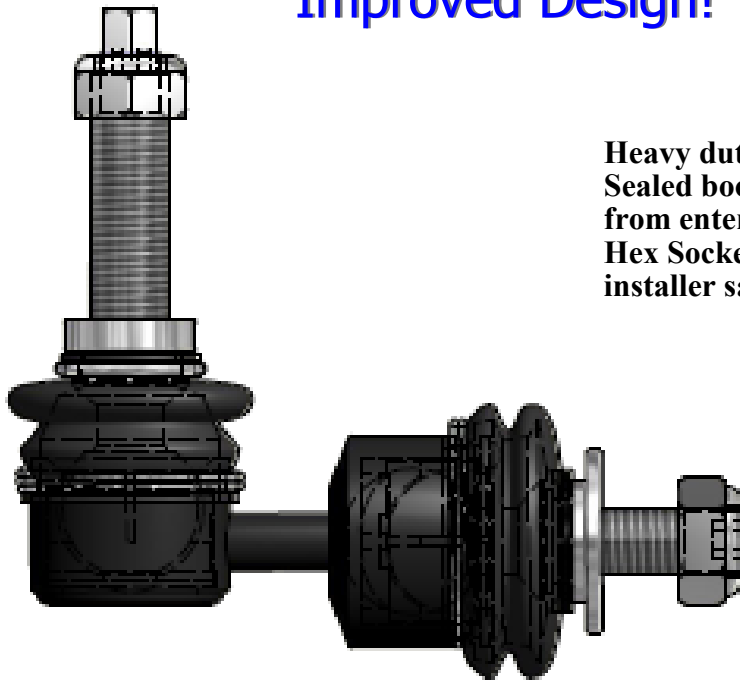
BAR-1750465



Heavy Duty Sway Bar Link

New Bar

Improved Design!



Heavy duty design for rugged condition.
 Sealed boot design to eliminate contaminants from entering the bearing surfaces.
 Hex Sockets for trouble-free installation & installer satisfaction.

Napa #	McQuay #	Moog #	OE #
N/A	N/A	K750465	CV6Z5K484F

APPLICATIONS:

Year	Make	Model	Body Trim	Location	Qty / Vehicle
2012– 2017	FORD	FOCUS	LS, LT, SS	REAR RIGHT/ LEFT	2

Manufactured in the

