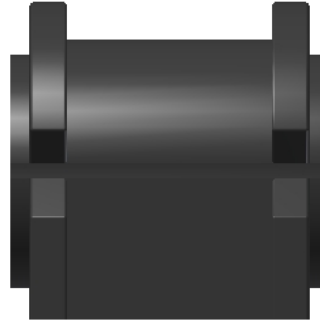
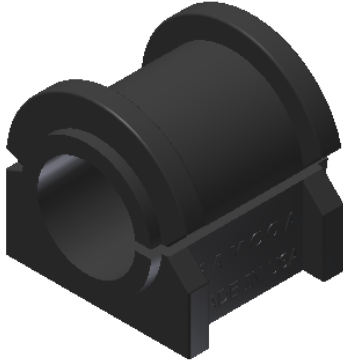


HP-5489

Sway Bar Bushing - to Frame Mazda

(2)
Per Vehicle

Front
Suspension



| Ramcoa P/N | Loc | O.E # | Year | Make | Model |
|------------|-----|------------|-----------|---------|-------------|
| HP-5489 | F | B37F34156B | 2004-2009 | Mazda 3 | Turbo |
| HP-5489 | F | B37F34156B | 2010-2013 | Mazda 3 | 2.3L engine |

Ramcoa P/N
HP-5489

Napa

McQuay

Moog

TRW

