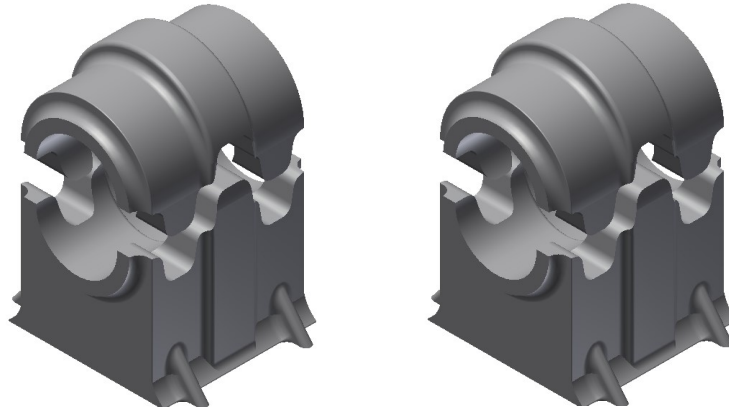
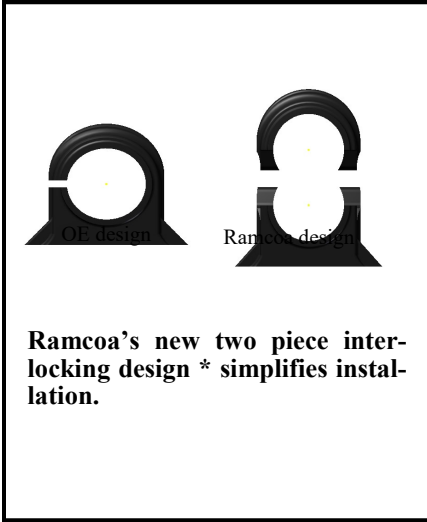


HP-5496,HP-5497,HP-5497FL,HP-5498

**Sway Bar Bushings - to Frame
 Ford Products**

Improved



*New two piece interlocking design * allows for easier installation & improved performance!*

** Patent Pending*

Part No.	Napa	McQuay	Moog	TRW
HP-5496				
HP-5497				
HP-5497FL				
HP-5498				

Applications:	Part No.	Year	Model	Suspension	Qty / Veh.
Lincoln	HP-5496	2010-2012	MKS 3.7L	AA5Z5484C	2
Lincoln	HP-5497	2010-2012	MKS 3.5L	AA5Z5484D	2
Ford	HP-5497	2010-2012	Taurus Turbo	AA5Z5484D	2
Ford	HP-5498	2010-2012	Taurus w/o Turbo	AA5Z5484A	2
Ford	HP-5497FL	2010-2012	Police Interceptor	AA5Z5484D	2

