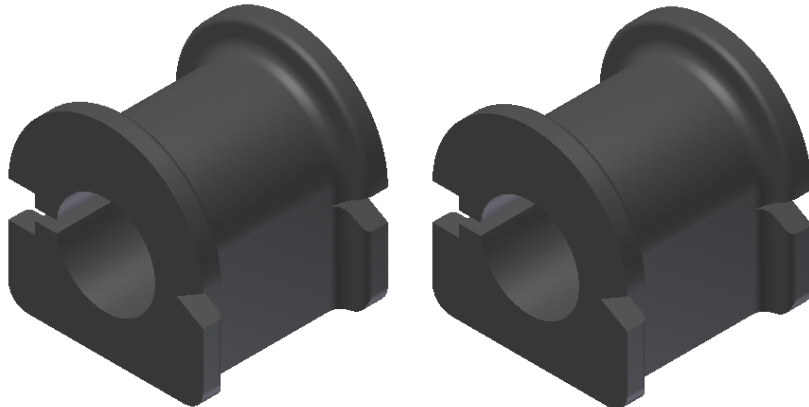


HP-5526

Sway Bar Bushing Kit Chevrolet Cruze, Chevrolet Malibu

1 Kit
 Per Vehicle



Front Suspension

★ **NOT available from O.E.M.!** ★

- OE bushing was designed to be non-serviceable in the event of failure forcing the customer to buy the whole stabilizer bar assembly.
- RAMCOA bushings are designed to FIX this problem and give the customer a choice!
- Precision-engineered bushings utilize the O.E. brackets
- Fix the bushings, don't throw away the stabilizer bar!

O.E. # (Sway Bar Assembly)	Moog	Napa	Raybestos	McQuay
13296533 (Superseded), 13346848	K200843	2652912		
22810904				
20961221				

APPLICATIONS:

Ramcoa Part #	Year	Make	Model	Trim	Location	Qty / Vehicle
HP-5526	2011-2015	Chevrolet	Cruze	All	Front	1 kit (2 bushings per kit)
HP-5526	2013-2015	Chevrolet	Malibu	Eco ,Ls, Lt, Ltz 2.4L & 2.5L	Front	1 kit (2 bushings per kit)
HP-5526	2016-2017	Chevrolet	Malibu	Eco, Ls, Lt, Ltz 2.5L	Front	1 kit (2 bushings per kit)
HP-5526	2013-2015	Chevrolet	Malibu	Eco, Ls, Lt, Ltz 2.0 L	Front	1 kit (2 bushings per kit)

