

RP-10K

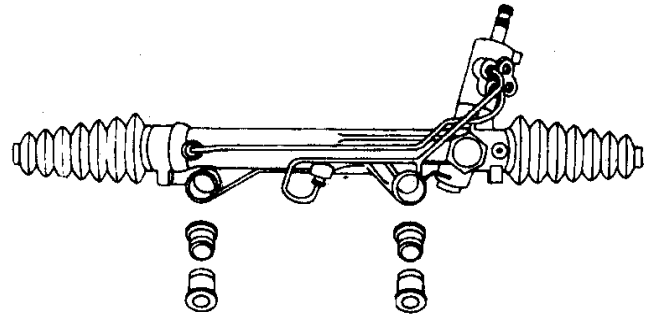


Rack & Pinion Mounting Bushing Kit

Front Suspension
 (2 Kits) Per
 Vehicle



Excels in abrasion resistance and automotive oil resistance. Allows easy installation saves time and expensive rack replacement. Eliminates excessive movement and noise caused by worn out bushings.



O.E. #: Napa # McQuay # Moog # TRW #

52113031AD N/A N/A N/A N/A
 52106728AC

APPLICATION

Year	Make	Model	Body Trim	Location	Qty / Vehicle
2002– 2012	Dodge	Ram 1500 2wd & 4wd	LARAMIE; SLT; SPORT; ST; TRX; TRX4	Front	2 kits
2003– 2009	Dodge	Ram 2500 2wd	LARAMIE; SLT; SPORT; ST; TRX; TRX4; Power wagon	Front	2 kits
2003– 2009	Dodge	Ram 3500 2wd	LARAMIE; SLT; ST; SXT	Front	2kits

Manufactured in the



2017

2017