

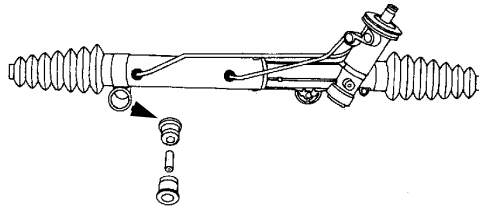
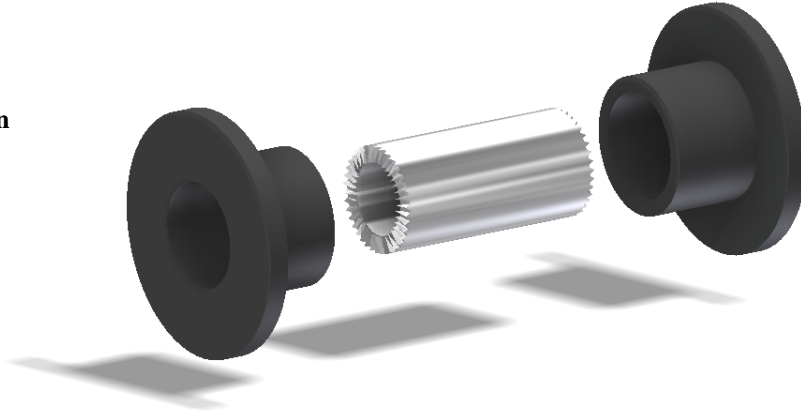
# RP-2K



## Rack & Pinion Mounting Bushing Kit General Motors Corp.

Front Suspension

( 1 Kit ) Per  
 Vehicle



O.E. #:

10062902  
 14088178  
 26036476

<b>Napa #</b>	<b>McQuay #</b>	<b>Moog #</b>	<b>TRW #</b>
274-9178	FA-7160	K-6349	HB-1646K

APPLICATIONS:

Year	Make	Model
1997 - 2005	Buick	Century
1988 - 2004	Buick	Regal
2002 - 2007	Buick Truck	Rendezvous 2wd & Awd
1993 - 2002	Chevrolet	Camaro
2000 - 2005	Chevrolet	Impala
1990 - 2001	Chevrolet	Lumina
1995 - 2005	Chevrolet	Monte Carlo
1997 - 2005	Chevrolet Truck	Venture APV
1988 - 1997	Oldsmobile	Cutalss Supreme
1998 - 2002	Oldsmobile	Intrigue
1997 - 2004	Oldsmobile Truck	Silhouette APV
1993 - 2002	Pontiac	Firebird, Trans AM
1988 - 2008	Pontiac	Grand Prix
2001 - 2005	Pontiac Truck	Aztek 2wd & Awd
1997 - 2006	Pontiac Truck	Montana, Montana SV6 / Trans Sport APV

Manufactured in the

