

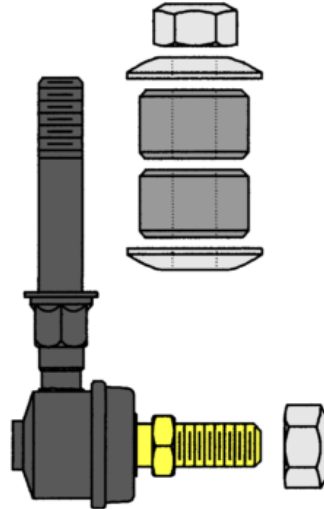
# SL-18135



## Sway Bar Link Kit Nissan / Chevy / Geo / Suzuki

Front  
 Suspension

( 2 ) Per  
 Vehicle



**Complete Unit!**

Includes link with  
 bushings and  
 hardware

O.E.M. #:	Description	Napa #	McQuay #	Moog #	TRW #
54618-50Y00	Link				
54618-D5015	Link				
56112-W5000	Bushing				
56112-58Y00	Bushing				
56112-50Y00	Bushing				
56113-50Y00	Washer	265-2139	SL-241	K-9543	18135
30020921	Link			K90119	
				K750201	

APPLICATIONS:

Year	Make	Model	Location	Qty / Vehicle
1995 - 1998	Nissan	200SX	Front Susp.	2
1989 - 1994	Nissan	Maxima	Front Susp.	2
1991 - 1993	Nissan	NX	Front Susp.	2
1986 - 1999	Nissan	Sentra 2wd	Front Susp.	2
1987 - 1990	Nissan	Sentra 4wd	Front Susp.	2
1986 - 1992	Nissan	Stanza	Front Susp.	2
1998	Chevrolet	Tracker	Front Susp.	2
1997 - 1989	Geo	Tracker	Front Susp.	2
1989 - 1998	Suzuki	Sidekick	Front Susp.	2
1999 - 2005	Suzuki	Grand Vitara	Front Susp.	2
1996 - 1998	Suzuki	X-90	Front Susp.	2
2002 - 2006	Suzuki	XL-7	Front Susp.	2

Manufactured in the

