

SL-9012



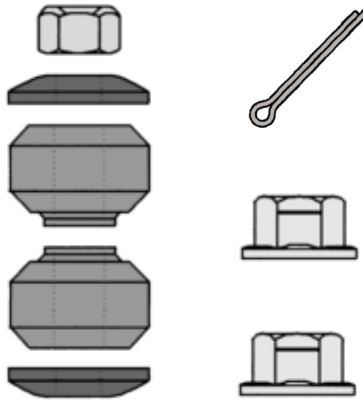
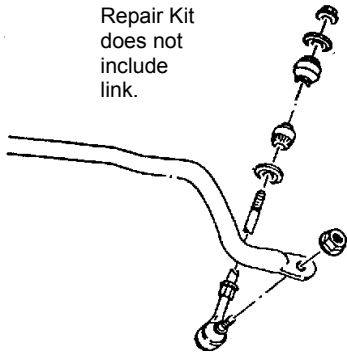
**New!
Upgraded Kit**

Sway Bar Link - Repair Kit Dodge Truck

**Front
Suspension**

(2) Per

Repair Kit
does not
include
link.



Cotter Pin: for vehicles with a castellated nut on ball stud.

12Mx1.25 (fine thread) lock nut for late year models with fine thread ball stud.

12Mx1.75 (course thread) lock nut for early year models with course thread ball stud.

Dodge kept changing the ball stud used on the end links for the Ram pickups. Now there are 3 OE links for these applications, the only change was the ball stud threads.

OEM#
5072934AE
5170290AC
68020464AB
68055439AA
5175052AB

RAMCOA's kit provides the correct nut or cotter pin for all 3 types.

Napa #	McQuay #	Moog #	TRW #
265-1311	SL-226	K-7300	18154

APPLICATIONS:

Year	Make		Model	Location	Qty / Vehicle
2002-2012	Dodge Truck	2wd	Ram 1500	Front	2
2003-2012	Dodge Truck	2wd	Ram 2500, Ram 3500	Front	2
1994-99	Dodge Truck	2wd	Ram 3500 w/ Solid Front Axle	Front	2
1994-2012	Dodge Truck	4wd	Ram 1500	Front	2
1994-2012	Dodge Truck	4wd	Ram 2500	Front	2
1994-2012	Dodge Truck	4wd	Ram 3500	Front	2

