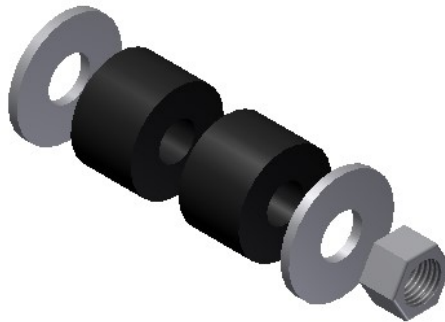


# SL-9040

## Sway Bar Link - Repair Kit Toyota Tacoma



**Front  
 Suspension**

**2 Per Vehicle**

<b>O.E.M. #:</b>	<b>Napa #</b>	<b>McQuay #</b>	<b>Moog #</b>	<b>TRW #</b>
4882035021 LINK	2653223			
48820AD010 LINK				

**APPLICATIONS:**

<b>Year</b>	<b>Make</b>	<b>Model</b>	<b>Suspension</b>	<b>Qty / Vehicle</b>
1995-2000	Toyota	Tacoma	4wd	2
2000-2004	Toyota	Tacoma	2wd	2
2005-2015	Toyota	Tacoma	2wd	2

