

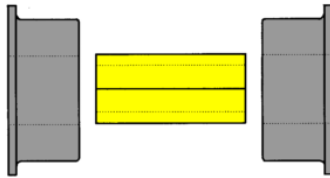
# TB-101



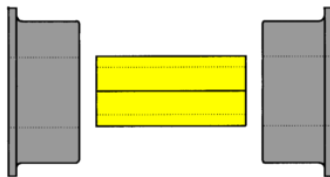
## Improved Design!

### Track Bar Bushing Kit Jeeps

Front & Rear  
Suspension

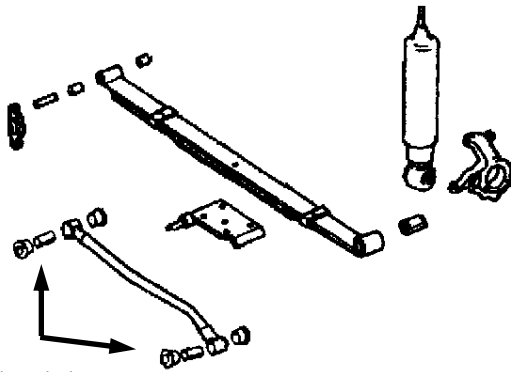


( 2 Kits )  
Per Vehicle



### The Problem Eliminator!

Improved 2 piece design eyelet bushings install easily without any special tools. The OE bushings are not available separately, you have to purchase a complete new track bar which can be very expensive. The main parts which wear out are the eyelet bushings. RAMCOA's improved design eye bushings will take the punishment from on or off-road use.



2 piece design bushings allow for easy installation.

**TB-101** repairs the following Jeep Track Bars:

Front Susp. = #52040403 (DS-1422)

Rear Susp. = #52040404 (DS-1421)

Napa #	McQuay #	Moog #	TRW #
274-9212	FA-7332	K-3175	HB-1813

#### APPLICATIONS:

Year	Make	Model	Location	Qty / Vehicle
1987 - 1995	Jeep (YJ)	Wrangler, Renegade, Sahara	Front Susp.	1 Kit
1987 - 1995	Jeep (YJ)	Wrangler, Renegade, Sahara	Rear Susp.	1 Kit
1997 - 2006	Jeep (TJ)	Wrangler, Renegade, Sahara	Front Susp.	1 Kit

Manufactured in the

